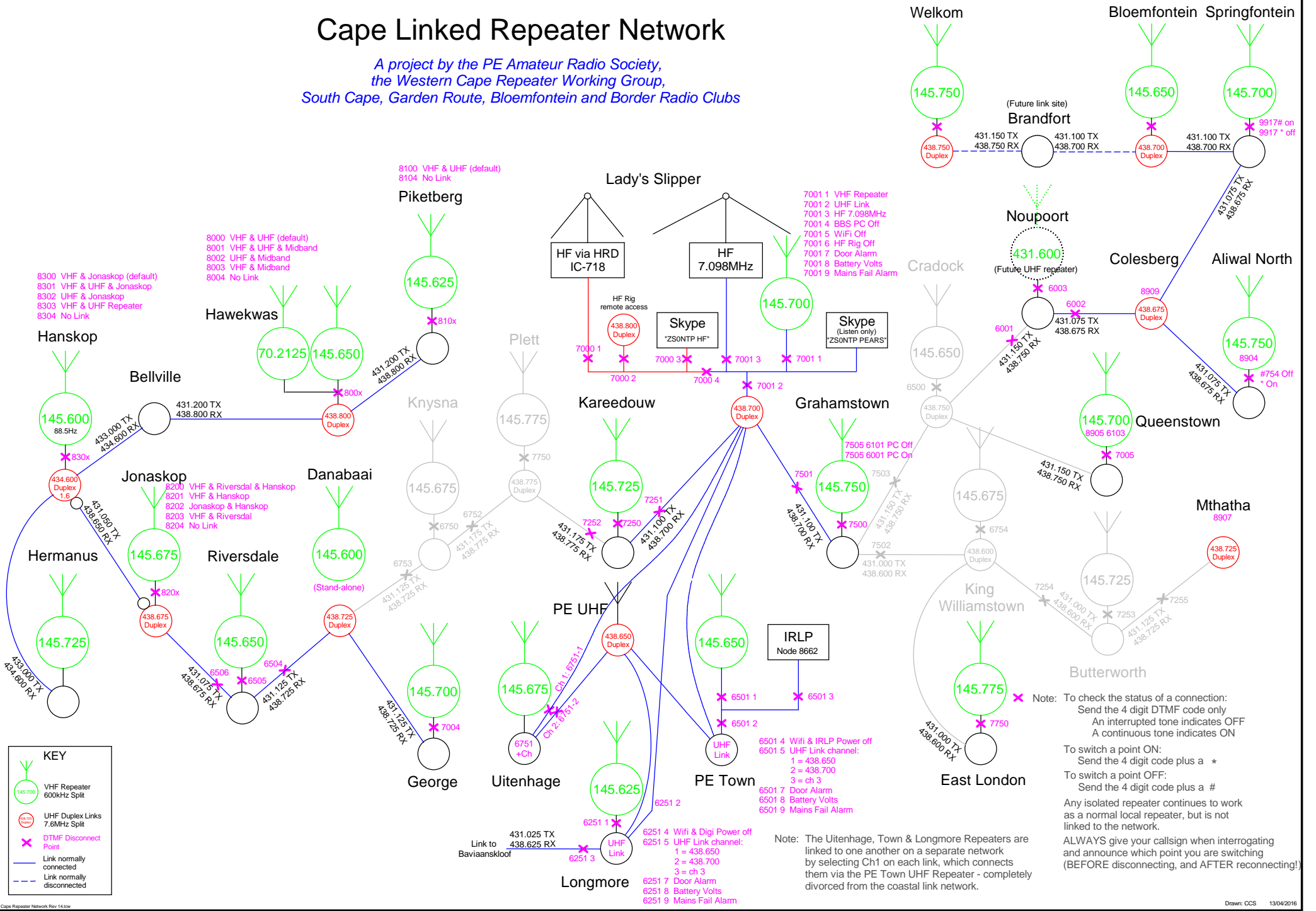


Cape Linked Repeater Network

A project by the PE Amateur Radio Society,
the Western Cape Repeater Working Group,
South Cape, Garden Route, Bloemfontein and Border Radio Clubs



Note: To check the status of a connection:
Send the 4 digit DTMF code only
An interrupted tone indicates OFF
A continuous tone indicates ON

To switch a point ON:
Send the 4 digit code plus a *

To switch a point OFF:
Send the 4 digit code plus a #

Any isolated repeater continues to work as a normal local repeater, but is not linked to the network.

ALWAYS give your callsign when interrogating and announce which point you are switching (BEFORE disconnecting, and AFTER reconnecting!)

Note: The Uitenhage, Town & Longmore Repeaters are linked to one another on a separate network by selecting Ch1 on each link, which connects them via the PE Town UHF Repeater - completely divorced from the coastal link network.

KEY

- VHF Repeater 600kHz Split
- UHF Duplex Links 7.6MHz Split
- DTMF Disconnect Point
- Link normally connected
- Link normally disconnected